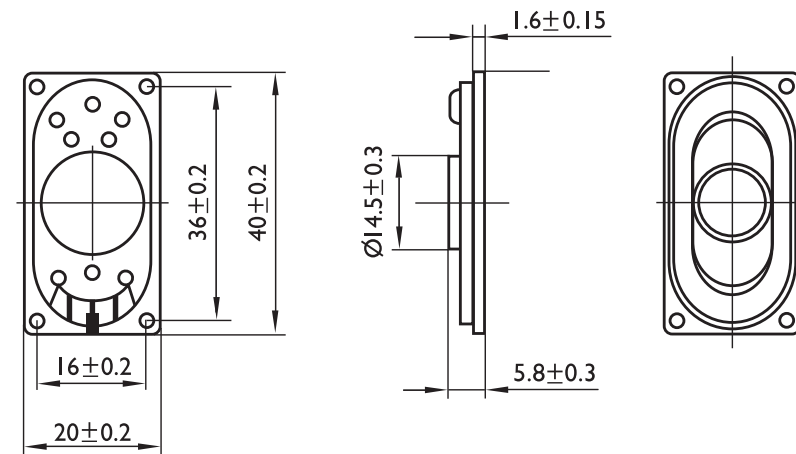


Specifications	ABS-216-RC
Rated impedance	8±15%Ω
Rated power	2.0W
Maximum power	3.0W
Resonant frequency	400±20%Hz
Frequency range	F 200Hz-20Khz
Sound pressure level at 1.0W/0.5M	83±3dB
Operating temperature	-20°C~+60°C
Storage temperature	-30°C~+70°C
Weight	7.6g
Magnet size	∅11x1.5mm
Magnet material	NdFeB
Cone material	Paper



**Features**

- ROHS compliant
- Low profile
- High handling capacity

All data at 25°C unless otherwise specified

**Dimensions** Unit: mm



ALAN BUTCHER COMPONENTS LTD

**Alan Butcher Components Ltd**

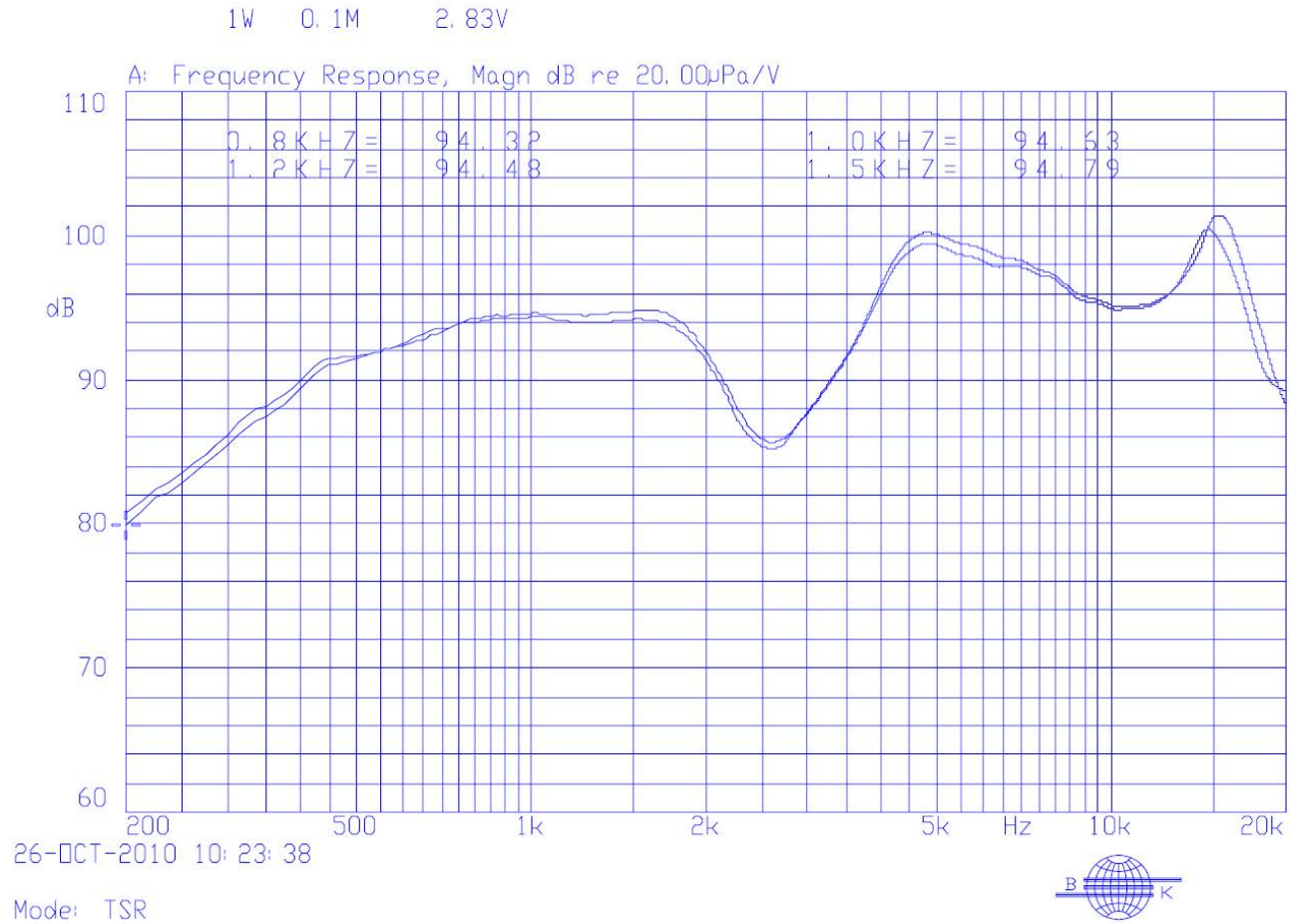
Unit 1 Beechwood Clump Farm Industrial Estate Tin Pot Lane Blandford Dorset DT11 7TD

Telephone 01258 456360 Facsimile 01258 459194 Email sales@abcomponents.co.uk

[www.abcomponents.co.uk](http://www.abcomponents.co.uk)

# ABS-216-RC SPEAKER - Frequency Curve

SPEAKERS



ALAN BUTCHER COMPONENTS LTD

**Alan Butcher Components Ltd**

Unit 1 Beechwood Clump Farm Industrial Estate Tin Pot Lane Blandford Dorset DT11 7TD

Telephone 01258 456360 Facsimile 01258 459194 Email [sales@abcomponents.co.uk](mailto:sales@abcomponents.co.uk)

[www.abcomponents.co.uk](http://www.abcomponents.co.uk)